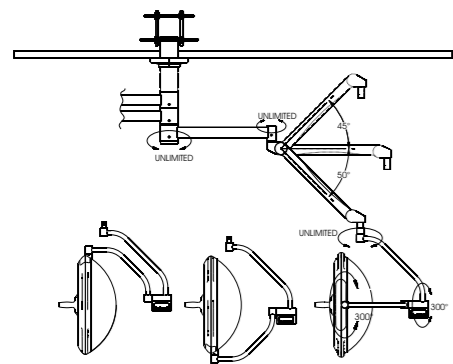


# HyLite™ 6 Series Surgical Lights

## Technical Specifications

HyLite 6700	
Central illuminance (at 1m distance)	150, 000 lux
Light field diameter (at 1m distance)	150-260mm
Depth of illumination (L1+L2)	1200mm
Color temperature	4350K
Color rendering index	96
Temperature rise-area around surgeon's head	≤2°C
Temperature rise-operative field	≤7°C
Illumination in case of bulb malfunction	No change due to auto bulb switch-over function
Service life of bulb	≥1000h
Power consumption	150W
Power supply	100VAC~240VAC, 50/60Hz

HyLite 6500	
Central illuminance (at 1m distance)	100, 000 lux
Light field diameter (at 1m distance)	130-240mm
Depth of illumination (L1+L2)	1200mm
Color temperature	4350K
Color rendering index	96
Temperature rise-area around surgeon's head	≤2°C
Temperature rise-operative field	≤9°C
Illumination in case of bulb malfunction	No change due to auto bulb switch-over function
Service life of bulb	≥1000h
Power consumption	120W
Power supply	100VAC~240VAC, 50/60Hz



**Maneuverability:** Effortless, flexible, stable and durable. As powerful as it is, HyLite is light-weighted. Anyone can move and position it with ease. Four encircling grips are designed so that non-sterile personnel can assist the surgeon to adjust light position during the operating process as needed. With 6 joints, the light head can be moved to any position and angled to any direction. Once positioned, HyLite does not drift away. The whole suspension system is so reliably designed and robustly built that it is as good as new even after long-time servicing.



**MINDRAY™**

Mindray Building, Keji 12th Road South, High-tech Industrial Park,  
Nanshan, Shenzhen 518057, P. R. China  
Tel: +86 755 26582492, 26582888 Fax: +86 755 26582680  
E-mail: intl-market@mindray.com Website: www.mindray.com

DISTRIBUTOR:

# MINDRAY



## HyLite™ 6 Series Surgical Lights

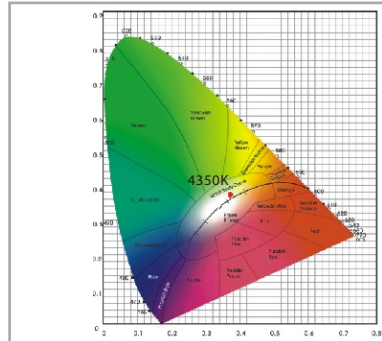
COMING  
SOON



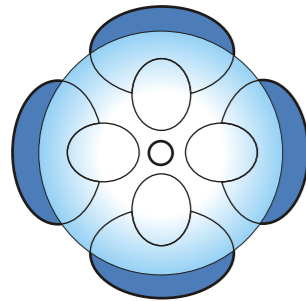
# HyLite™ 6 Series Surgical Lights



- **Illuminance**: A maximum of 150,000lux. Ensures sufficient lighting for operations.
- **Light field**: Conveniently adjustable by a turn of the central handle. The adjustable range of the field diameter is up to 110mm between the smallest focus and the largest focus. Even in case of operations involving large wounds, HyLite can still provide convincing lighting for the whole operative field.
- **Temperature rise**: Cool for surgeons and safe for patients. Temperature rise in the area around the surgeon's head is only 2 °C (3.6 °F), and that in the operative field is only 7 °C (12.6°F) for HyLite 6700 and 9 °C (16.2°F) for HyLite 6500. No risk of operative wound drying out.



- **Color temperature and rendering index**: Daylight-like light with high color fidelity. In the core of the light head, there is an elaborately designed filter that precisely tunes the light passing through it to a color temperature of 4350K and a color rendering index of 96. Such design means the light generated by HyLite is comparable to daylight that rules out redness distortion and ensures high color fidelity. In HyLite's light, surgeons can trust the color they see and can clearly distinguish between pathological and healthy tissues.



- **Shadow dilution**: Shadow-free light guaranteed. Unlike traditional multi-bulb surgical lights, HyLite needs only one bulb to produce light with perfect shadow dilution capability. At the heart of this technique is a parabolic reflector that is composed of thousands of facets, which function like mini-mirrors. Every facet receives light and projects it to the operative field. Light rays projected from every facet constitute a light column that is uniformly cast on every corner of the operative field, thus ensuring a shadowless field even if the surgeon is standing directly under the light.



- **Depth of illumination**: Excellent cavity-lighting capability. HyLite employs a state-of-the-art reflector to produce a perfect light column that presents a depth of illumination up to 1200mm (L1+L2, as defined by IEC 60601-2-41). Moreover, HyLite has fully taken into account that operations can be performed at various heights and patient elevation can change during the operating process. With HyLite's focus unit, there is no need whatsoever to manually refocus the light once the patient elevation or table height is changed.



- **Effect on laminar flow**: Not a trouble-maker to the laminar flow. HyLite generates minimized turbulence in the laminar flow in two ways: first, it features a slick outline that well hides the encircling grips; second, it consumes so little power that the warming effect on the outer surface is really low.



- **Bulb switch-over**: All done in a blink. HyLite has two identical bulbs, one working and the other standing by. Once the working bulb malfunctions, in 0.2 second, HyLite will lighten the backup bulb and swing it to the working position so that the surgeon will not perceive any difference in either illuminance or light field center.



- **Cleaning**: Truly trouble free. HyLite's slick appearance presents no hard-to-clean corners or gaps on the outer surface. The central handle can be easily attached and detached. Plus, the handle is made of the material that can withstand high temperature and pressure so that it can be sterilized by the autoclave method.